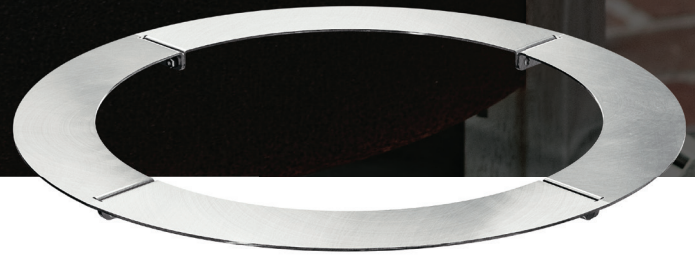


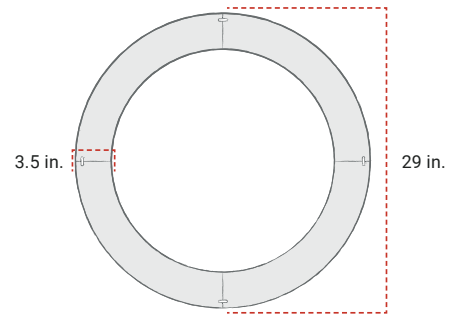


PIZZA OVEN ADAPTER X30



- ◆ SECURELY MOUNT THE BREEO PIZZA OVEN ON X30 FIRE PIT
- ◆ DESIGNED TO HANDLE THE HIGH HEAT OF LIVE-FIRE COOKING

- ◆ WEATHER RESISTANT
- ◆ FITS THE X30 STANDARD RIM FIRE PITS



MATERIAL

304 Stainless steel
Made by Breeco® in the USA

INFORMATION

When paired with the Live-Fire Pizza Oven, The X30 Adapter ring allows you to transform your Breeco X30 Fire Pit into a professional pizza making machine.

Just place centered and flush on top of your fire pit rim and you are ready for the pizza oven. The X30 Adapter ring allows you to harness the heat source of an X30 Fire Pit and use it for cooking pizzas with ease.

DEALER

PRODUCT	SKU
Pizza Oven Adapter X30	BR-PI-ADX3

USE & CARE

Assemble the Adapter and center the Adapter ring above the fire pit then set down on the interior of the fire pit rim. Notches on the underside of the Adapter ring allow it to be guided to the proper mounting position. Once the ring is resting securely flush to the rim, the Pizza Oven can be mounted on top.

